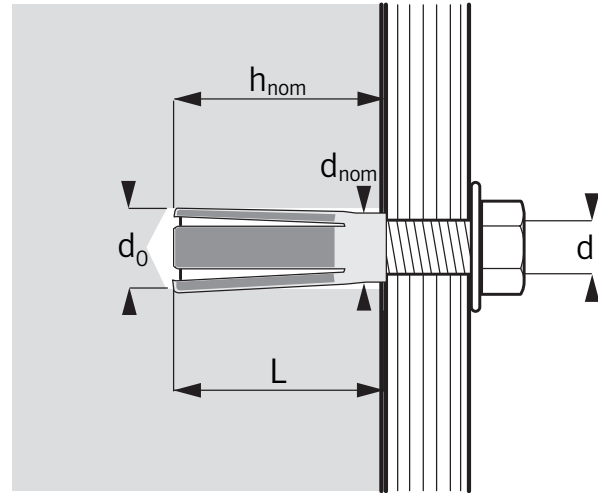
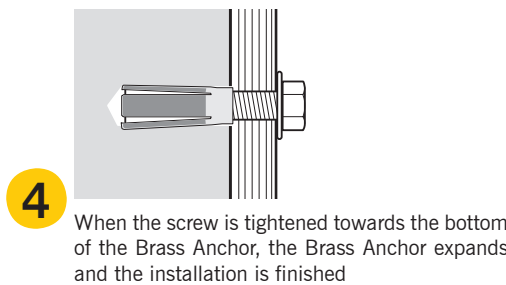
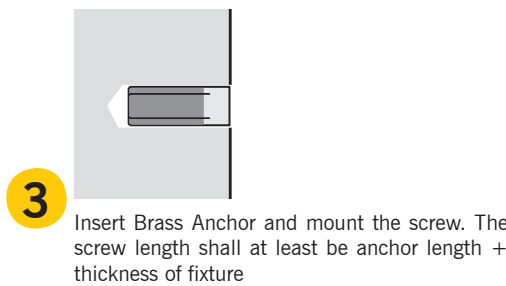
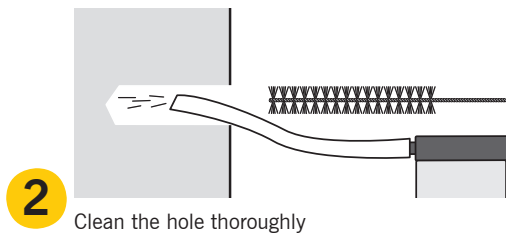
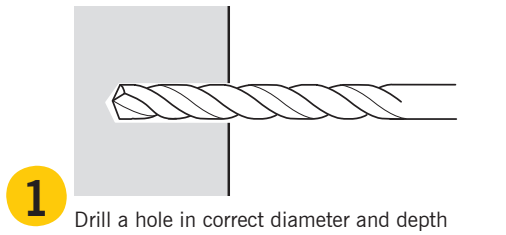


**BRASS ANCHOR**

**Installation:**

For mounting of metric screws, bolts, threaded rods etc. in solid brick, concrete, sand lime brick and wood



Type	Dimensions			Fixing			Load Capacities	
	d	L	d <sub>nom</sub>	d <sub>0</sub>	h <sub>nom</sub>	L <sub>sdmax</sub>	N <sub>Rd</sub>	V <sub>Rd</sub>
Expandet Brass Anchor	Bolt diameter mm	Anchor length mm	Outside diameter of anchor mm	Drill hole diameter mm	Embedment depth (Min.) mm	Screw in depth mm	Design resistance tension shear kN* kN*	
4 x 16	M 4	16	5	5	18	16	0,30	0,30
5 x 20	M 5	20	6	6	22	20	0,40	0,40
6 x 24	M 6	24	8	8	27	24	0,80	0,80
8 x 30	M 8	30	10	10	35	30	1,50	1,50
10 x 34	M10	34	12	12	36	34	2,10	2,10
12 x 40	M12	40	16	16	45	40	3,00	3,00
16 x 40	M16	44	20	20	49	44	4,00	4,00

\* Design resistance is valid for a single anchor in concrete C20/25 not influenced by edge distance and/or spacing  
Safety factor is included (≥ 3). 1 kN ≈ 100 kg.  
**Important:** See Expandet's "Principles for fastening" for general information on fastening as well as information on limited liability. (Can be downloaded at [www.expandet.com](http://www.expandet.com))

 **Advantages:**

- Short embedment depth.
- Corrosion resistant.
- Suitable for fixing i all solid materials - also in wood.
- Useable together with all screw-types with metric thread.
- Fire resistant

 **Materials:**

Expandet Brass Anchor is produced in brass (MS-58).



EXPANDET SCREW ANCHORS A/S  
Svendebuen 2-6  
DK-3230 Græsted  
Denmark

Telephone: +45 70 22 79 79  
Telefax: +45 70 22 79 89

Version 09.001

[www.expandet.com](http://www.expandet.com)  
[expandet@expandet.dk](mailto:expandet@expandet.dk)

Graphic: Vedkom /Expandet  
©Expandet Screw Anchors A/S, 2006  
All rights reserved