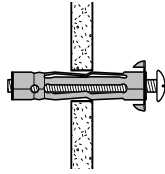


METAL CAVITY ANCHOR

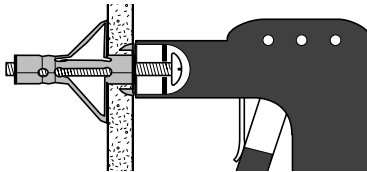
Installation:

For fixing in plasterboards, chipboards, gypsum fiber boards and other walls with cavities

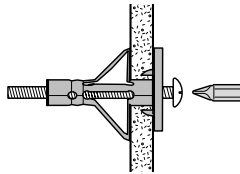
1 Drill a hole through the board material, and insert the Metal Cavity Anchor



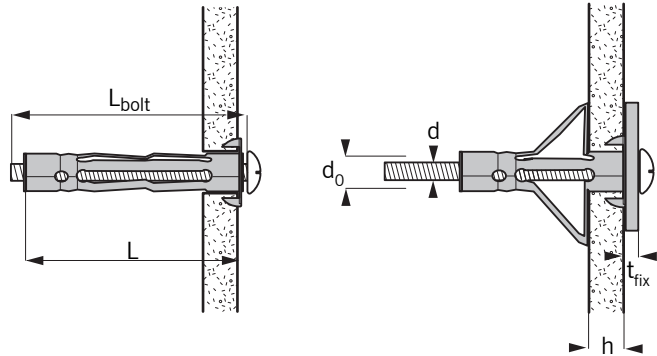
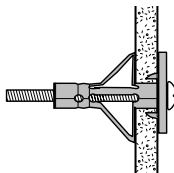
2 Place the installing tool around the screw and pull the anchor up against the wall



3 Place the object and tighten the screw. Avoid over-tightening screw to prevent damaging the board



4 The installation is finished



Type	Dimensions				Fixing		Load Capacities	
	d	L	L _{bolt}	t _{fix}	h	d ₀	N _{rec}	V _{rec}
Expandet Metal Cavity Anchor	Bolt diameter mm	Anchor length mm	Screw length mm	Fitting thickness (Max.) mm	Thickness of board mm	Drill diameter mm	Recommended tension load kN*	Recommended shear load kN*
4 x 32	M4	32	37	16	5-14	8	0,15	0,20
4 x 45	M4	45	49	16	18-26	8	0,15	0,40
5 x 52	M5	52	57	24	3-16	12	0,18	0,60
5 x 65	M5	65	70	24	14-32	12	0,20	0,50
5 x 80*	M5	80	85	26	32-45	12	0,20	0,50
6 x 52	M6	52	57	24	3-16	13	0,18	0,30
6 x 65	M6	65	70	26	14-32	13	0,20	0,50
6 x 80*	M6	80	85	26	32-45	13	0,30	0,50
8 x 65	M8	65	70	26	14-32	13	0,30	0,50

* Useable in 3 layer plasterboards or 2 layers + 1 tile.
 • Loads are recommended maximum in plasterboards with 300 mm spacing between each Metal Cavity Anchor. Safety factor is included (≥ 3). 1 kN \approx 100 kg.
Note: Is the recommended spacing not applied the load-capacity will be reduced.
Important: See Expandet's "Principles for fastening" for general information on fastening as well as information on limited liability. (Can be downloaded at www.expandet.com)

 **Advantages:**

Fire resistant fixing.
 Suitable in all materials with cavities.
 Useable with all metric threaded screws.

 **Materials:**

Expandet Metal Cavity Anchor is zinc plated min. 5 μ m.

 **Accessories:**

Installation tool - especially recommended when fixing on hard or smooth surfaces.
 Always use HSS-drills when fixing in plasterboards



EXPANDET SCREW ANCHORS A/S
 Svendebuen 2-6
 DK-3230 Græsted
 Denmark

Telephone: +45 70 22 79 79
 Telefax: +45 70 22 79 89

Version 09.001

www.expandet.com
expandet@expandet.dk

Graphic: Vedkom /Expandet
 ©Expandet Screw Anchors A/S, 2006
 All rights reserved