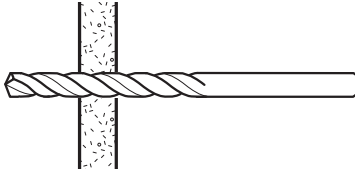


**LIGHT ROSETT**

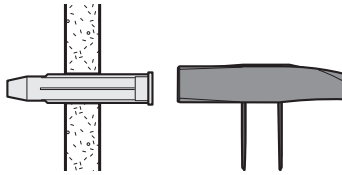
**Installation:**

For fixing of lightweight objects in plasterboards, gypsum fibre boards, chipboards, and general thin walled cavities

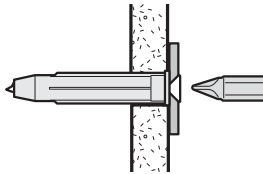
**1** Drill a hole through the board with HSS-drill



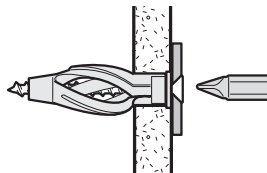
**2** Hammer Light Rosett flush with the wall



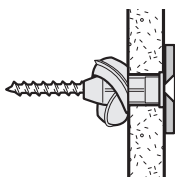
**3** Use screw size as recommended



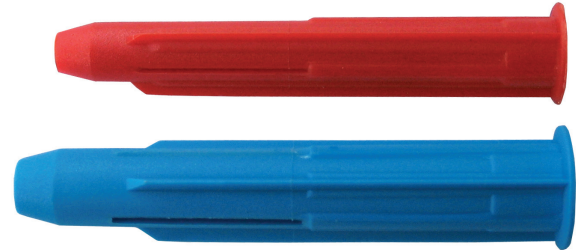
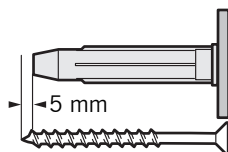
**4** When being tightened the screw draws up the plug into a strong knot behind the board (in the cavity)



**5** The installation is finished



**note** Always use a screw which is 3 mm longer than the plug + fixture to be fixed, as the screw has to reach the plug end and draw it backwards to form the knot



**Materials:**

Expandet Light Rosett is made of Nylon (PA6). Withstands temperatures from -40°C to +80°C.

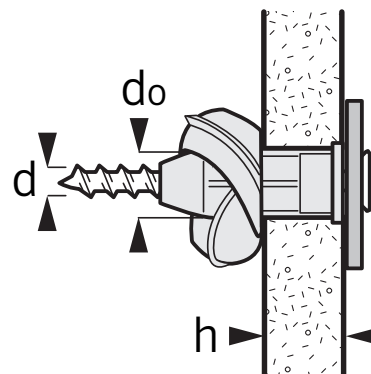
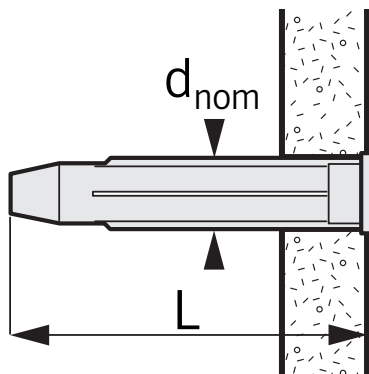
**Advantages:**

Designed for lightweight fixing in plasterboards.  
Easy fixing - no special tool required.  
Works with the same degree of safety in insulated cavities.  
Does not damage the plasterboard.  
Recommended by leading plasterboard manufactures.

**Further information:**

See overleaf

# LIGHT ROSETT



Type	Dimensions		Fixing				Load Capacities	
	$d_{nom}$	L	$d_o$	d	h	Layer	$N_{rec}$	$V_{rec}$
Expandet Light Rosett	Outside diameter of anchor mm	Anchor length mm	Drill hole diameter mm	Screw diameter mm	Thickness of board mm		Recommended tension load kN*	Recommended shear load kN*
Red 6x30	6	30	6	3,5-4,5	3- 9	one	0,10	0,15
Red 6x35	6	35	6	3,5-4,5	9-13	one	0,20	0,25
Red 6x50	6	50	6	3,5-4,5	26	two	0,25	0,30
Blue 8x45	8	45	8	5-6	13-18	one	0,20	0,35
Blue 8x55	8	55	8	5-6	26	two	0,30	0,40

\* Loads are recommended maximum in plasterboards with 300 mm spacing between each Light Rosett. Safety factor is included ( $\geq 3$ ). 1 kN  $\approx$  100 kg.

**Note:** Is the recommended spacing not applied the load-capacity will be reduced.

**Important:** See Expandet's "Principles for fastening" for general information on fastening as well as information on limited liability. (Can be downloaded at [www.expandet.com](http://www.expandet.com))

Observe that the cavity must minimum be (highest result of either calculations):

- 1: Screw length less thickness of board and fixture
- 2: Plug length less thickness of board



EXPANDET SCREW ANCHORS A/S  
 Svendebuen 2-6  
 DK-3230 Græsted  
 Denmark

Telephone: +45 70 22 79 79  
 Telefax: +45 70 22 79 89

Version 09.001

[www.expandet.com](http://www.expandet.com)  
[expandet@expandet.dk](mailto:expandet@expandet.dk)

Graphic: Vedkom /Expandet  
 ©Expandet Screw Anchors A/S, 2006  
 All rights reserved